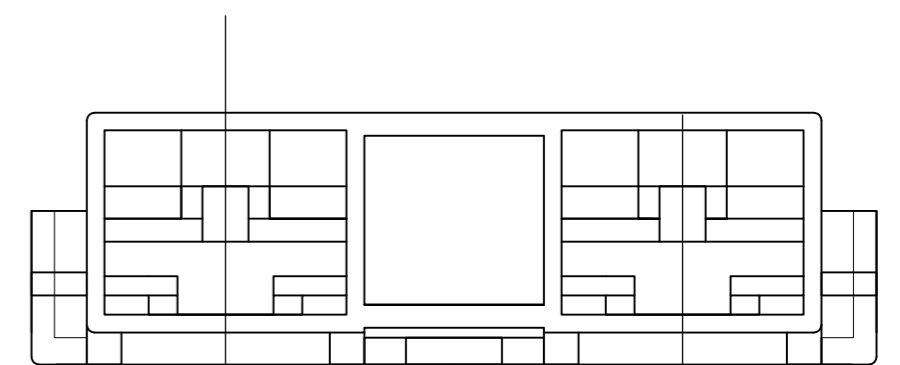
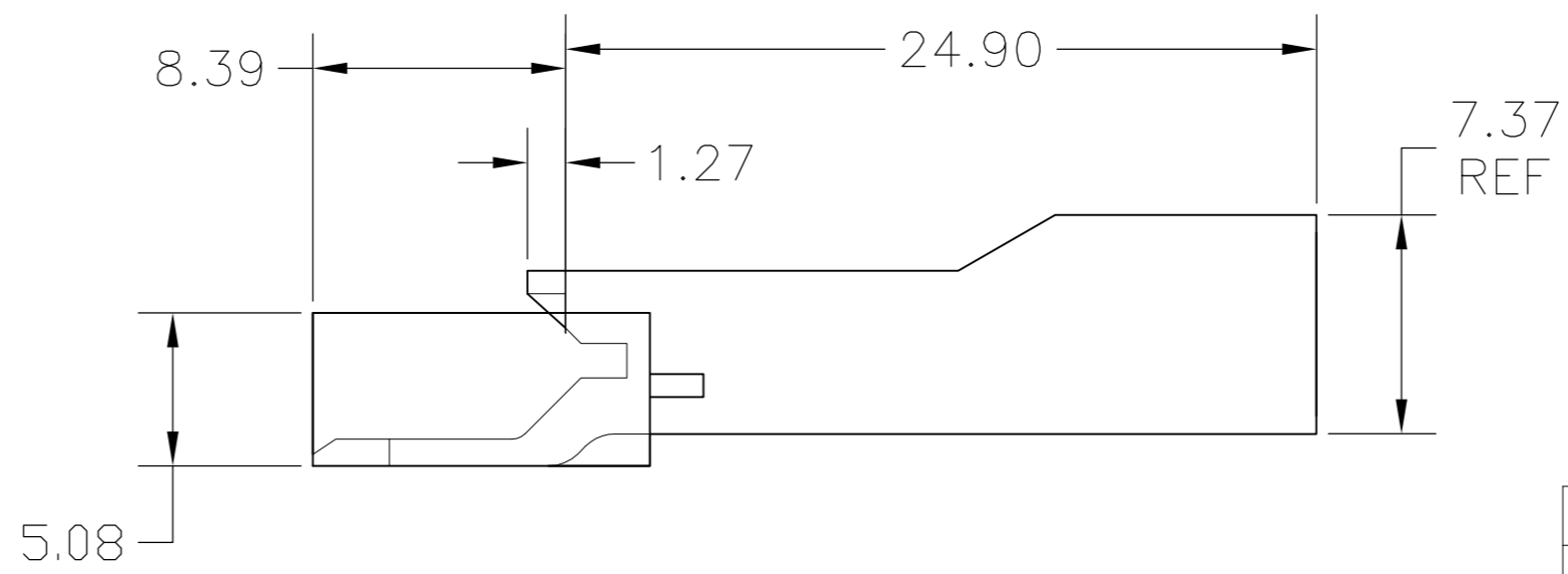
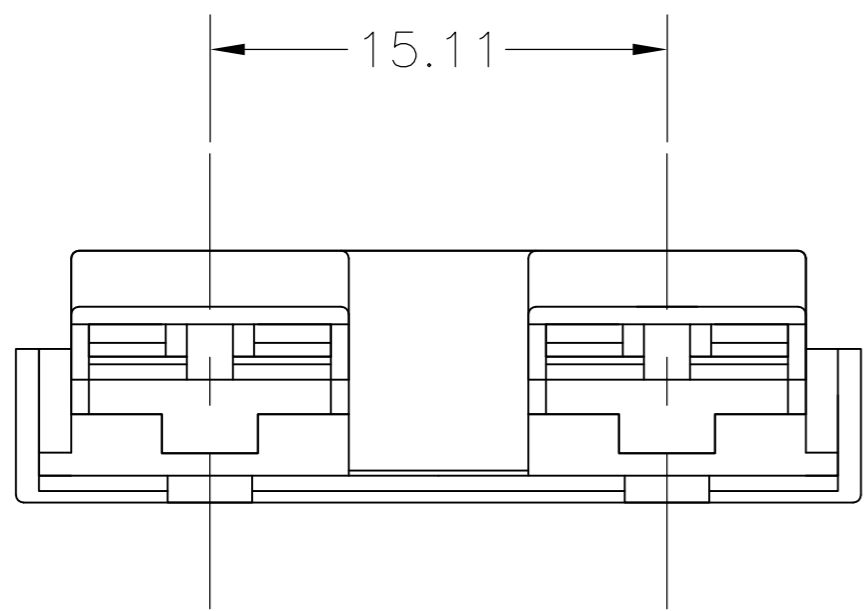
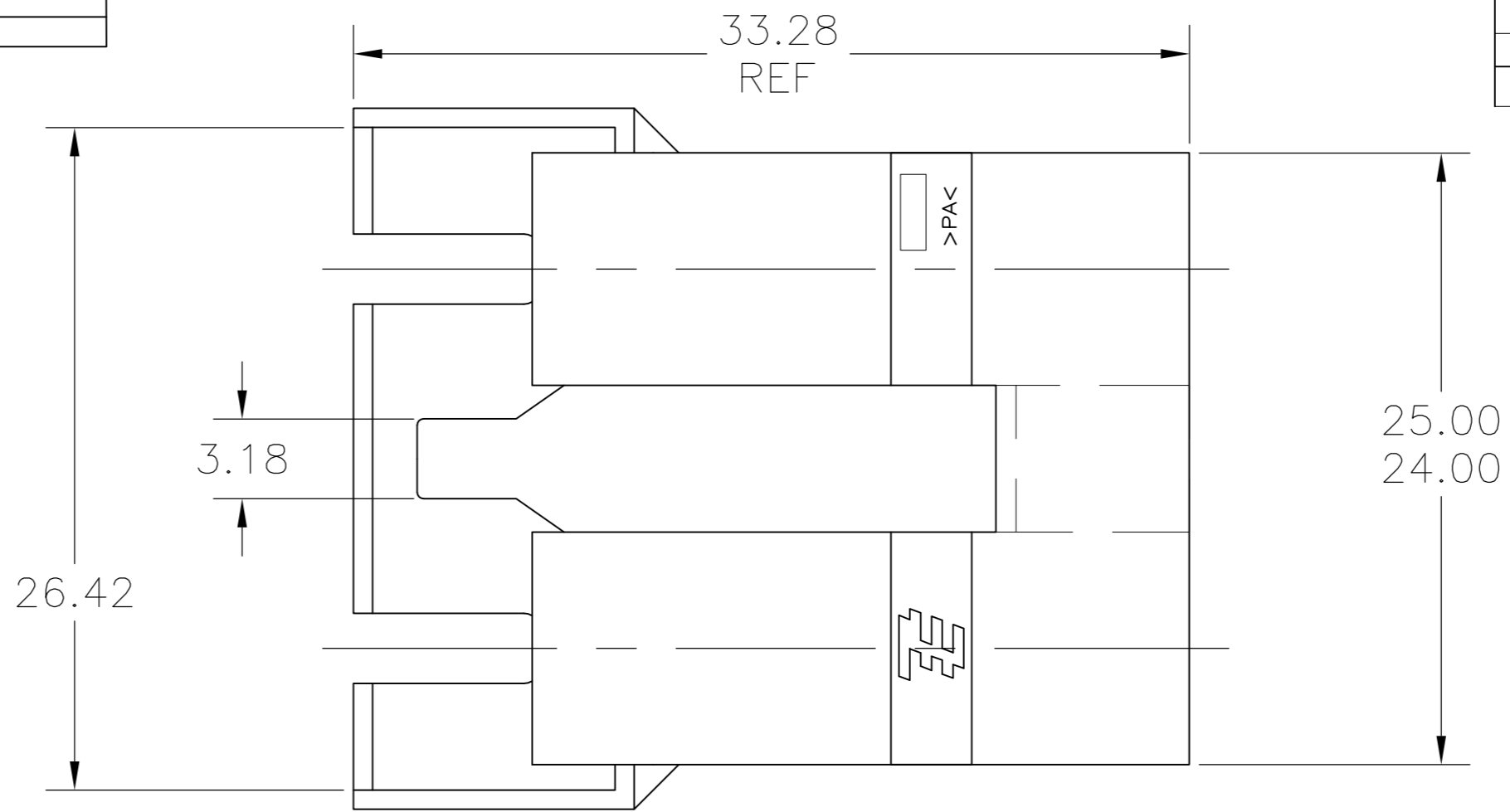
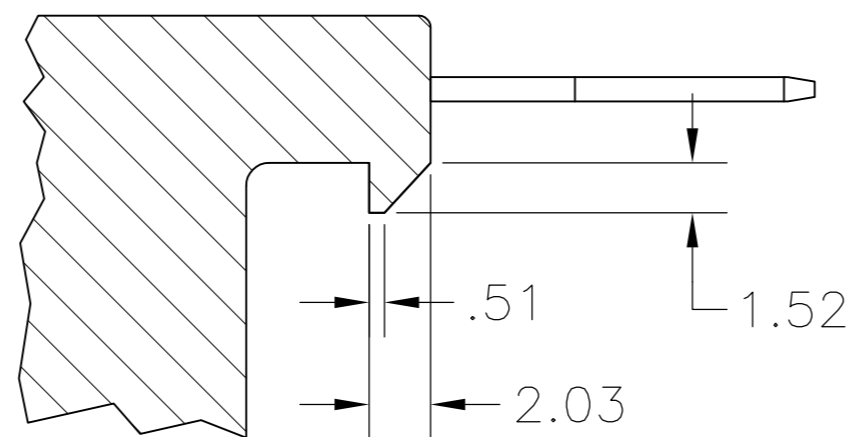


THIS DRAWING IS UNPUBLISHED. RELEASED FOR PUBLICATION
 © COPYRIGHT - By - ALL RIGHTS RESERVED.

REVISIONS				
P	LTR	DESCRIPTION	DATE	APVD
T5		REVISED PER ECR-15-016346	07MAY2016	NK LP



- 1 THIS HOUSING ACCEPTS LOW-INSERTION, PREMIER RECEPTACLE 63306, OR POSITIVE-LOCK MKIII RECEPTACLE 63854-1.
- 2 TO MAINTAIN PROPER TERMINAL INSERTION FORCE INTO HOUSING, HOUSINGS MUST BE KEPT IN THEIR MOISTURIZED CONDITION (AS RECEIVED) PRIOR TO ASSEMBLY.
- 3 MOLDED WITH GLOW-WIRE APPROVED MATERIAL
- 4 PRELIMINARY - NOT FOR PRODUCTION
- 5 OFFERED FOR CONSIDERATION IN APPLICATIONS REQUIRING 'NON-DRIP' HOUSING MATERIAL.
- 6 BLUE PARTS MAY APPEAR MEDIUM BLUE TO LIGHT BLUE TO LIGHT GRAY IN COLOR AND MAY ALSO EXHIBIT A MARBLING EFFECT



PROPOSED MATING LOCKING DESIGN

OBSOLETE

MATERIAL	FINISH/COLOR	PART NO
66 NYLON V0	BLUE	3-521253-7
6/6 NYLON, V0	PURPLE	3-521253-6
6 NYLON, V2	NATURAL	2-521253-1
66/6 NYLON V0	BLUE	1-521253-7
	PURPLE	1-521253-6
	YELLOW	1-521253-4
	GREEN	1-521253-3
	RED	1-521253-2
	NATURAL	1-521253-1
6/6 NYLON V2	BLUE	521253-7
	PURPLE	521253-6
	BROWN	521253-5
	YELLOW	521253-4
	GREEN	521253-3
	RED	521253-2
	NATURAL	521253-1

THIS DRAWING IS A CONTROLLED DOCUMENT.

DWN	JR RUTH	05JAN00
CHK	MS FEHER	05JAN00
APVD	D BRATINA	05JAN00
PRODUCT SPEC		
APPLICATION SPEC		
WEIGHT	-	

TE Connectivity

HOUSING, RECEPTACLE, FASTON OR POSITIVE-LOCK, 6.35 [.250] SERIES

SCALE: 4:1 SHEET: 1 OF 1 REV: T5